

EN ORIGINAL INSTRUCTIONS

IMPORTANT - These instructions are for your safety. Please read through them thoroughly prior to handling the product and retain them for future reference.

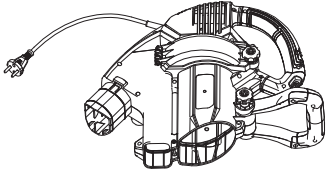


V10323_5063022106285_MAND1_2223

**EN Electric Garden
Blower Vacuum
2800W**

MBV2800
5063022106285
5063022114020
TTBV2800
5063022106025
5063022106308

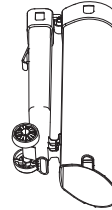
EN Parts



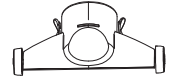
01. x1



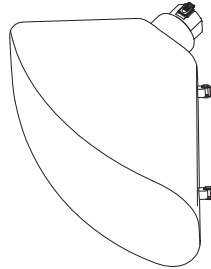
02. x1



03. x1



04. x1



05. x1



06. x1

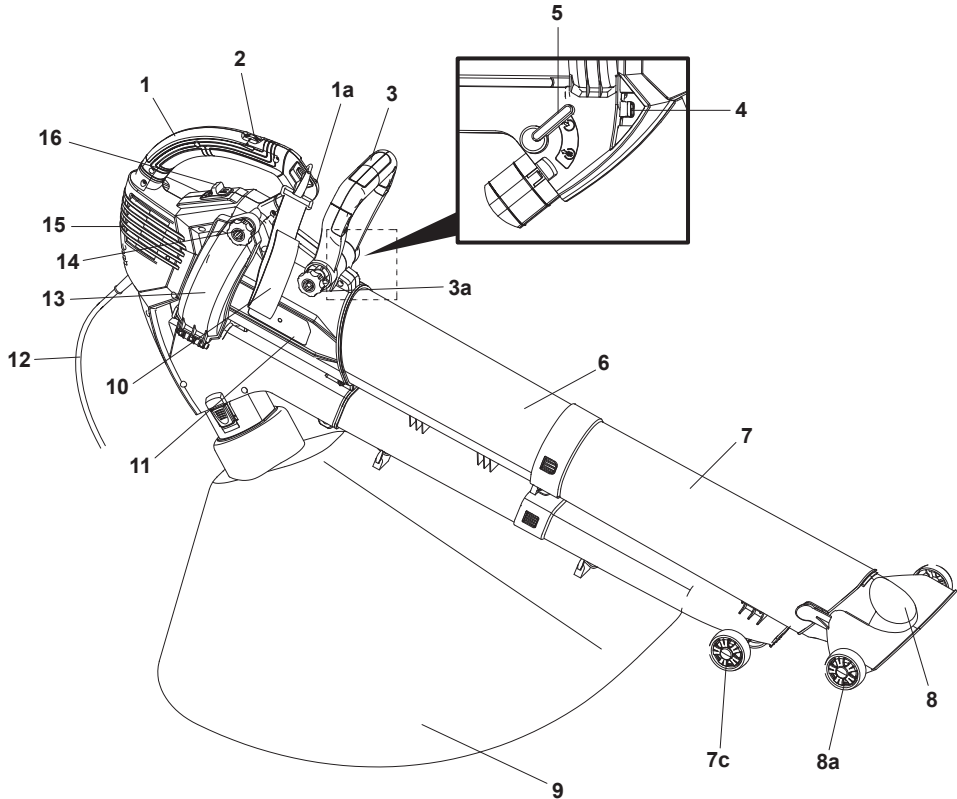
EN You will need



EN Contents

EN	
Product description	3
Safety	4
Technical specification	16
Before you start	17
Functions & Settings	21
Operation	23
Care and maintenance	25
Guarantee	29
Declaration of conformity	30

EN Product description



- | | | |
|------------------------|----------------------------|-------------------|
| 1. Main handle | 8. Flat vacuum tube | 14. Locking knob |
| a. Hanging hole | a. Guide roller (x2) | 15. Air vents |
| 2. Speed dial | b. Clip* (x2) | 16. On/off switch |
| 3. Front handle | c. Flat nozzle* | |
| a. Locking knob | 9. Collection bag | |
| 4. Cord retainer | a. Bag connector* | |
| 5. Mode selector | b. Hanging loop* (x2) | |
| 6. Upper tube | c. Zipper* | |
| a. Screw* (x2) | d. Latch* (x2) | |
| b. Latch* (x4) | 10. Harness | |
| c. Bag hook* | a. Securing clip* | |
| 7. Lower tube | b. Quick release* | |
| a. Location hole* (x4) | 11. Main unit | |
| b. Bag hook* | a. Outlet nozzle* | |
| c. Guide roller (x2) | 12. Power cord with plug | |
| d. Round nozzle* | 13. Impeller wheel housing | |

i **NOTE:** Parts marked with * are not shown in this overview. Please refer to the respective part in the instruction manual.



General power tool safety warnings



WARNING! Read all safety warnings, instructions, illustrations and specifications provided with this power tool. *Failure to follow all instructions listed below may result in electric shock, fire and/or serious injury.*

Save all warnings and instructions for future reference.

The term “power tool” in the warnings refers to your mains-operated (corded) power tool or battery-operated (cordless) power tool.

Work area safety

- a) **Keep work area clean and well lit.** Cluttered or dark areas invite accidents.
- b) **Do not operate power tools in explosive atmospheres, such as in the presence of flammable liquids, gases or dust.** *Power tools create sparks which may ignite the dust or fumes.*
- c) **Keep children and bystanders away while operating a power tool.** *Distractions can cause you to lose control.*

Electrical safety

- a) **Power tool plugs must match the outlet. Never modify the plug in any way. Do not use any adapter plugs with earthed (grounded) power tools.** *Unmodified plugs and matching outlets will reduce risk of electric shock.*
- b) **Avoid body contact with earthed or grounded surfaces, such as pipes, radiators, ranges and refrigerators.** *There is an increased risk of electric shock if your body is earthed or grounded.*

- c) **Do not expose power tools to rain or wet conditions.** *Water entering a power tool will increase the risk of electric shock.*
- d) **Do not abuse the cord. Never use the cord for carrying, pulling or unplugging the power tool. Keep cord away from heat, oil, sharp edges or moving parts.** *Damaged or entangled cords increase the risk of electric shock.*
- e) **When operating a power tool outdoors, use an extension cord suitable for outdoor use.** *Use of a cord suitable for outdoor use reduces the risk of electric shock.*
- f) **If operating a power tool in a damp location is unavoidable, use a residual current device (RCD) protected supply.** *Use of an RCD reduces the risk of electric shock.*

Personal safety

- a) **Stay alert, watch what you are doing and use common sense when operating a power tool. Do not use a power tool while you are tired or under the influence of drugs, alcohol or medication.** *A moment of inattention while operating power tools may result in serious personal injury.*
- b) **Use personal protective equipment. Always wear eye protection.** *Protective equipment such as dust mask, non-skid safety shoes, hard hat, or hearing protection used for appropriate conditions will reduce personal injuries.*
- c) **Prevent unintentional starting. Ensure the switch is in the off-position before connecting to power source, picking up or carrying the tool.** *Carrying power tools with your finger on the switch or energising power tools that have the switch on invites accidents.*
- d) **Remove any adjusting key or wrench before turning the power tool on.** *A wrench or a key left attached to a rotating part of the power tool may result in personal injury.*
- e) **Do not overreach. Keep proper footing and balance at all times.** *This enables better control of the power tool in unexpected situations.*
- f) **Dress properly. Do not wear loose clothing or jewellery. Keep your hair and clothing away from moving parts.** *Loose clothes, jewellery or long hair can be caught in moving parts.*

- g) **If devices are provided for the connection of dust extraction and collection facilities, ensure these are connected and properly used.** *Use of dust collection can reduce dust-related hazards.*
- h) **Do not let familiarity gained from frequent use of tools allow you to become complacent and ignore tool safety principles.** *A careless action can cause severe injury within a fraction of a second.*

Power tool use and care

- a) **Do not force the power tool. Use the correct power tool for your application.** *The correct power tool will do the job better and safer at the rate for which it was designed.*
- b) **Do not use the power tool if the switch does not turn it on and off.** *Any power tool that cannot be controlled with the switch is dangerous and must be repaired.*
- c) **Disconnect the plug from the power source and/or remove the battery pack, if detachable, from the power tool before making any adjustments, changing accessories, or storing power tools.** *Such preventive safety measures reduce the risk of starting the power tool accidentally.*
- d) **Store idle power tools out of the reach of children and do not allow persons unfamiliar with the power tool or these instructions to operate the power tool.** *Power tools are dangerous in the hands of untrained users.*
- e) **Maintain power tools and accessories. Check for misalignment or binding of moving parts, breakage of parts and any other condition that may affect the power tool's operation. If damaged, have the power tool repaired before use.** *Many accidents are caused by poorly maintained power tools.*
- f) **Keep cutting tools sharp and clean.** *Properly maintained cutting tools with sharp cutting edges are less likely to bind and are easier to control.*

- g) **Use the power tool, accessories and tool bits etc. in accordance with these instructions, taking into account the working conditions and the work to be performed.** *Use of the power tool for operations different from those intended could result in a hazardous situation.*
- h) **Keep handles and grasping surfaces dry, clean and free from oil and grease.** *Slippery handles and grasping surfaces do not allow for safe handling and control of the tool in unexpected situations.*

Service

- a) **Have your power tools serviced by a qualified repair person using only identical replacement parts.** *This will ensure that safety of the power tool is maintained.*

Safety instructions for garden blower / vacuum Training

- a) Read the instructions carefully. Be familiar with the controls and the proper use of the product.
- b) Never allow children, persons with reduced physical, sensory or mental capabilities or lack of experience and knowledge or people unfamiliar with these instructions to use the product. Local regulations may restrict the age of the operator.
- c) Keep in mind that the operator or user is responsible for accidents or hazards occurring to other people or their property.

Preparation

- a) Obtain ear protection and safety glasses. Wear them at all times while operating the product.
- b) While operating the product, always wear substantial footwear and long trousers. Do not operate the product when barefoot or wearing open sandals. Avoid wearing clothing that is loose fitting or that has hanging cords or ties.
- c) To prevent dust irritation the wearing of a face mask is recommended.

- d) Do not wear loose clothing or jewellery that can be drawn into the air inlet. Keep long hair away from the air inlets.
- e) Operate the product in a recommended position and only on a firm, level surface.
- f) Do not operate the product on a paved or gravel surface where ejected material could cause injury.
- g) Before using, always visually inspect to see that the bolts and other fasteners are secure, the housing is undamaged and that guards and screens are in place. Replace worn or damaged components in sets to preserve balance. Replace damaged or unreadable labels.
- h) Before use check the supply and extension cord for signs of damage or aging. If the cord becomes damaged during use, disconnect the cord from the supply immediately. **DO NOT TOUCH THE CORD BEFORE DISCONNECTING THE SUPPLY.** Do not use the product if the cord is damaged or worn.
- i) Never operate the product while people, especially children, or pets are nearby.
- j) Only use a weather proof extension cable fitted with a coupler according to EN 60320-2-3.



CAUTION! Do not touch a rotating impeller fan.

Operation

- a) Always direct the cable to the rear away from the product.
- b) Do not carry the product by the cable.
- c) Before starting the product, make certain that the feeding chamber is empty.
- d) Keep your face and body away from the feed intake opening.
- e) Do not allow hands or any other part of the body or clothing inside the feeding chamber, discharge chute, or near any moving part.
- f) Keep proper balance and footing at all times. Do not overreach. Never stand at a higher level than the base of the product when feeding material into it.

- g) Always stand clear of the discharge zone when operating this product.
- h) When feeding material into the product be extremely careful that pieces of metal, rocks, bottles, cans or other foreign objects are not included.
- i) If the cutting mechanism strikes any foreign objects or if the product should start making any unusual noise or vibration, immediately shut off the power source and allow the product to stop. Disconnect the product from the supply and take the following steps before restarting and operating the product:
 - Inspect for damage;
 - Replace or repair any damaged parts;
 - Check for and tighten any loose parts.
- j) Do not allow processed material to build up in the discharge zone; this may prevent proper discharge and can result in kickback of material through the intake opening.
- k) If the product becomes clogged, shut-off the power source and disconnect the product from supply before cleaning debris.
- l) Never operate the product with defective guards or shields, or without safety devices, for example debris collector in place, or if the cord is damaged or worn.
- m) Keep the power source clean of debris and other accumulations to prevent damage to the power source or possible fire.
- n) Do not transport this product while the power source is running.
- o) Stop the product and remove the plug from the power supply (disconnect the product from the mains supply). Make sure that all moving parts have come to a complete stop
 - whenever you leave the product,
 - before clearing blockages or unclogging chute,
 - before checking, cleaning or working on the product,
 - after striking a foreign object to inspect the product for damage,
 - if the product starts to vibrate abnormally, for immediate check.
- p) Operate the product only in daylight or in good artificial light.
- q) Always be sure of your footing on slopes.

- r) Walk, never run, when using this product.
- s) Keep all cooling air inlets clear of debris.
- t) Never blow debris in the direction of bystanders.
- u) Do not tilt the product while the power source is running.

Recommendations for operation

- a) Operate the product only at reasonable hours - not early in the morning or late at night when people might be disturbed.
- b) Use rakes and brooms to loosen debris before blowing / vacuuming.
- c) Slightly dampen surfaces in dust conditions or use mister attachment.
- d) Use the full blower nozzle extension so the air stream can work close to the ground.
- e) The machine should be supplied via a residual current device (RCD) with a tripping current of not more than 30 mA.
- f) Avoid using the machine in bad weather conditions especially when there is a risk of lightning.

Maintenance and storage

- a) Keep all nuts, bolts and screws tight to be sure the product is in safe working condition.
- b) Check the debris collector frequently for wear or deterioration.
- c) Use only genuine replacement parts and accessories.
- d) When the product is stopped for servicing, inspection, or storage, or to change an accessory, shut off the power source, disconnect the product from the supply and make sure that all moving parts are come to a complete stop. Allow the product to cool before making any inspections, adjustments, etc. Maintain the product with care and keep it clean.
- e) Store the product only in a dry place out of the reach of children.
- f) Always allow the product to cool before storing.
- g) When servicing the impeller wheel be aware that, even though the power source is switched off due to the interlock feature of the guard, the impeller wheel can still be moved.

- h) Replace worn or damaged parts for safety. Use only genuine replacement parts and accessories.
- i) Never attempt to override the interlocked feature of the guard.
- j) When not in use, store the product in a dry place out of the reach of children.
- k) If the replacement of the supply cord is necessary, this has to be done by the manufacturer or his agent in order to avoid a safety hazard.

Additional safety warnings

- a) Do not touch moving hazardous parts before the product is disconnected from the power supply and the moving hazardous parts have come to a complete stop.
- b) Do not to connect a damaged cord to the supply or touch a damaged cord before it is disconnected from the supply for the reason that damaged cords can lead to contact with live parts.
- c) Keep extension cords away from moving hazardous parts to avoid damages to the cords which can lead to contact with live parts.
- d) Disconnect the machine from the mains, if the cord becomes damaged or entangled during use.
- e) Switch-off the product before attaching or removing the collection bag.
- f) Do not operate the product near open windows, etc.
- g) Do not blow hard objects such as nails, bolts, or rocks.
- h) Apply extra care when cleaning debris from stairs or other tight areas.
- i) Keep all parts of your body away from the suction/blowing device. Do not remove blockages or jams when the product is switched on. Make sure the switch is off when clearing jammed material. One moment of inattentiveness while operating the product may result in serious personal injury.
- j) Carry the product by the handle with the motor off. Handling the product properly reduces the possibility of personal injury.
- k) Never use the product standing on steps or a ladder. Do not work above shoulder height.

- l) If the product starts to vibrate abnormally, check it immediately. Excessive vibration can cause injury.
- m) Always ensure the product is fully assembled before using it. Never attempt to use an incomplete product or one fitted with an unauthorised modification.
- n) Check the suction/blowing device regularly for damage, and if damaged repair immediately.
- o) Do not overload the product.
- p) Follow the maintenance and repair instructions for this product. Never carry out any modifications to the product. Information about maintenance and repair is provided in this user manual.

Health surveillance

All employees should be part of an employer's health surveillance scheme to help identify any vibration related diseases at an early stage, prevent disease progression and help employees stay in work.

Vibration and noise reduction

To reduce the impact of noise and vibration emission, limit the time of operation, use low-vibration and low-noise operating modes as well as wear personal protective equipment.

Take the following points into account to minimise the vibration and noise exposure risks:

1. Only use the product as intended by its design and these instructions.
2. Ensure that the product is in good condition and well maintained.
3. Use correct attachments for the product and ensure they are in good condition.
4. Keep tight grip on the handles/grip surface.
5. Maintain this product in accordance with these instructions and keep it well lubricated (where appropriate).
6. Plan your work schedule to spread any high vibration tool use across a longer period of time.

Emergency

Familiarise yourself with the use of this product by means of this instruction manual. Memorise the safety directions and follow them to the letter. This will help to prevent risks and hazards.

1. **Always be alert when using this product, so that you can recognise and handle risks early.** *Fast intervention can prevent serious injury and damage to property.*
2. **Switch off and disconnect from the power supply if there are malfunctions.** *Have the product checked by a qualified professional and repaired, if necessary, before you operate it again.*

Residual risks

Even if you are operating this product in accordance with all the safety requirements, potential risks of injury and damage remain. The following dangers can arise in connection with the structure and design of this product:

1. Health defects resulting from vibration emission if the product is being used over long periods of time or not adequately managed and properly maintained.
2. Injuries and damage to property due to broken attachments or the sudden impact of hidden objects during use.
3. Danger of injury and property damage caused by flying objects.



WARNING! This product produces an electromagnetic field during operation! This field may under some circumstances interfere with active or passive medical implants! To reduce the risk of serious or fatal injury, we recommend persons with medical implants to consult their doctor and the medical implant manufacturer before operating this product!

Symbols

On the product, the rating label and within these instructions you will find among others the following symbols and abbreviations. Familiarise yourself with them to reduce hazards like personal injuries and damage to property.

V~	Volt, (alternating voltage)	Hz	Hertz
W	Watt	/h	Per hour
/min or min ⁻¹	Per minute	kg	Kilogram
mm	Millimetre	cm	Centimetre
m	Metre	l	Litre
dB(A)	Decibel (A-rated)	m/s ²	Metres per second squared



Lock / to tighten or secure.



Unlock / to loosen.



Read the instruction manual.



Note / Remark.



Caution / Warning.

yyWxx

Manufacturing date code; year of manufacturing (20yy) and week of manufacturing (Wxx).



Always wear hearing protection.



Always wear eye protection.



Wear a dust mask.



Wear face protection.



Wear protective gloves.



Wear protective, slip-resistant footwear.



Wear tight-fitted protective clothes.



Switch the product off and disconnect it from the power supply before assembly, cleaning, adjustments, maintenance, storage and transportation.



This product is of protection class II. That means it is equipped with enhanced or double insulation.



Do not expose the product to rain or wet conditions (moisture).



Keep bystanders away!

Objects thrown by the product could hit the user or other bystanders. Always ensure that other people and pets remain at a safe distance from the product when it is in operation. In general, children must not come near the area where the product is.



Disconnect the mains plug if the cord becomes damaged or entangled. **DO NOT TOUCH THE CORD BEFORE DISCONNECTING THE SUPPLY.**



Danger of rotating parts. Keep hands away from blowing device! Danger of injuries.



Vacuuming mode.



Blowing mode.



Guaranteed sound power level value in 106 dB.



WEEE symbol. Waste electrical products should not be disposed of with household waste. Please recycle where facilities exist. Check with your Local Authority or local store for recycling advice.



The product complies with the applicable European directives and an evaluation method of conformity for these directives was done.



UK Conformity Assessed.

Rating label explanation

Garden Blower Vacuum: **MBV2800** **TTBV2800**

M = Brand name (MAC Allister)


TT = Brand name (TITAN)

BV = Blower Vacuum

2800 = Rated input (W)

EN Technical specifications

General :

- > **Rated voltage, frequency** : 230-240 V~, 50 Hz
- > **Rated power input** : 2800 W
- > **Rated no load speed n_0** : 10000 - 15000 min⁻¹
- > **Collection bag capacity** : 40 l
- > **Max. suction volume** : 700 m³/h
- > **Max. air speed** : 260 km/h
- > **Mulching ratio** : 12:1
- > **Protection class** : II 
- > **Degree of protection** : IP20
- > **Weight** : approx. 4 kg
- > **Dimensions** : approx. 1240 x 310 x 470 mm

Sound values :

- > **Sound pressure level L_{pA}** : 88 dB(A) for blowing / 89dB(A) for vacuum
- > **Uncertainty K_{pA}** : 3 dB(A)
- > **Sound power level L_{WA}** : 99.8 dB(A)
- > **Uncertainty K_{WA}** : 3 dB(A)
- > **Guaranteed sound power level L_{WA}** : 101 dB(A)

Hand arm vibration values :

- > **Blower :**
 - Front handle a_h** : 0.7822 m/s²
 - Main handle a_h** : 0.8132 m/s²
- > **Vacuum :**
 - Front handle a_h** : 1.156 m/s²
 - Main handle a_h** : 1.253 m/s²
- > **Uncertainty K** : 1.5 m/s²

The sound value(s) have been determined according to noise test code given in EN 60335-1 and EN 50636-2-100, using the basic standards EN ISO 11094 and EN ISO 3744.

The sound intensity level for the operator may exceed 80 dB(A) and ear protection measures are necessary.

The declared total vibration value(s) and the declared noise emission value(s) have been measured in accordance with a standard test method and may be used for comparing one tool with another;

The declared total vibration value(s) and the declared noise emission value(s) may also be used in a preliminary assessment of exposure.



WARNING! The vibration and noise emission during actual use of the power tool can differ from the declared total value depending on the ways in which the tool is used especially what kind of workpiece is processed;

The need to identify safety measures to protect the operator that are based on an estimation of exposure in the actual conditions of use (taking account of all parts of the operating cycle such as the times when the tool is switched off and when it is running idle in addition to the trigger time).

EN Before you start

Unpacking

1. Unpack all parts and lay them on a flat, stable surface.
2. Remove all packing materials and shipping devices if applicable.
3. Make sure the delivery contents are complete and free of any damage. If you find that parts are missing or show damage do not use the product but contact your dealer. Using an incomplete or damaged product represents a hazard to people and property.
4. Ensure that you have all the accessories and tools needed for assembly and operation. This also includes suitable personal protective equipment.



WARNING! The product and the packaging are not children's toys! Children must not play with plastic bags, sheets and small parts! There is a danger of choking and suffocation!

You will need

(items not supplied)

Suitable personal protective equipment
 Suitable Philips-head screwdriver
 Suitable extension cord

(items supplied)

Flat vacuum tube (8)
 Collection bag (9)



NOTE: The accessories required depend on the intended application. Ask your dealer for advice.

Assembly



WARNING! The product must be fully assembled before operation! Do not use a product that is only partly assembled or assembled with damaged parts!



Follow the assembly instructions step-by-step and use the pictures provided as a visual guide to easily assemble the product!



Before using the product, familiarise yourself with the operating features read the entire instruction manual paying particular attention to the safety rules and operating procedures.



Do not connect the product to power supply before it is completely assembled.



NOTE: Take care of small parts that are removed during assembly or when making adjustments. Keep them secure to avoid loss.

Tube assembly



WARNING! Once the tube has been completely assembled it may not be disassembled or removed from the main unit (11)! Contact a qualified specialist if the tube needs to be disassembled, e.g. for removing blockages or replacing damaged tube parts!

The lower tube (7) is designed with two pre-assembled guide rollers (7c). Use the guide rollers (7c) to push the product forward when necessary.

1. Remove the two pre-assembled screws (6a) from the upper tube (6) and keep them handy to avoid loss.



NOTE: Pay attention to the alignment of the tubes. In particular observe the orientation of the plug-in connection.

2. Align the lower tube (7) to the upper tube (6) and insert it all the way to the stop (Fig. 1, step 1). Ensure that the four latches (6b) engaged in the four corresponding location holes (7a) and the tubes (6 / 7) lock in place.
3. Align the assembled tubes to the main unit (11) and insert them all the way to the stop. Secure the upper tube (6) to the main unit (11) with the two screws (6a) using a suitable cross-head screwdriver (not supplied).

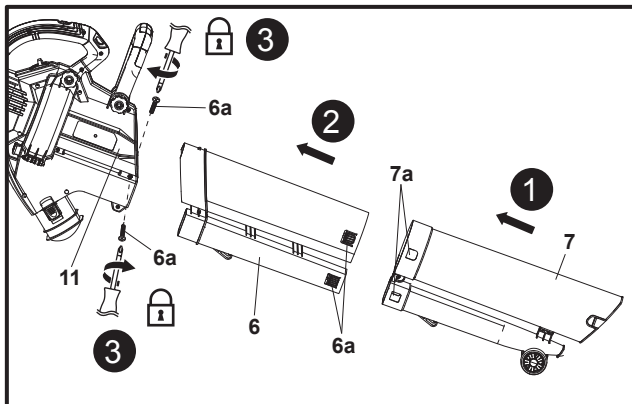


Fig. 1

Collection bag

1. Align the bag connector (9a) to the outlet nozzle (11a) and insert it all the way to the stop (Fig. 2). Ensure that the two latches (9d) lock in position.
2. Attach two hanging loops (9b) to the bag hooks (6c / 7b) on the upper tube (6) and the lower tube (7).

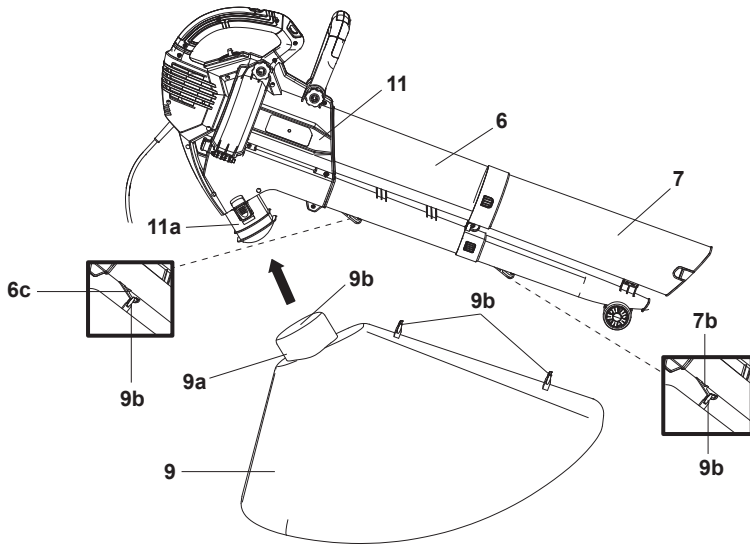


Fig. 2



WARNING! Always operate the product with its collection bag (9) attached to protect yourself against flying debris and to avoid injuries! Do not use this product with a damaged collection bag or without one at all!

Harness



WARNING! Always use the product with the harness (10)! Do not carry it only with your hands! Always adjust the harness (10) before operation.

The harness (10) helps the operator to carry the product.

1. Place the harness (10) so that it runs over the left shoulder, crossing the chest and back. The securing clip (10a) must be located at the right hip. The quick release (10b) must be in front (Fig. 3).

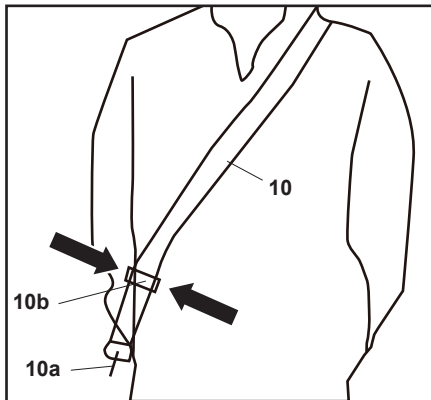


Fig. 3

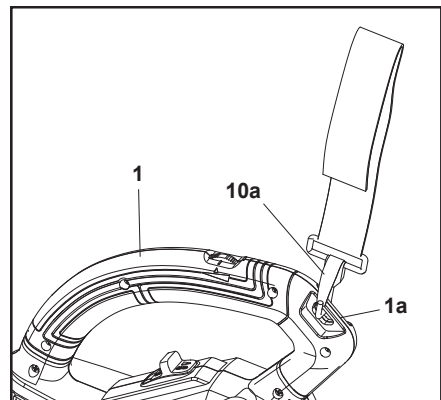


Fig. 4

2. Adjust the length of the harness (10) so that the securing clip (10a) is approximately 15 cm below your waist.

3. Attach the securing clip (10a) to the hanging hole (1a) on the main handle (1) (Fig. 4).
4. Ensure the position of the product is comfortable and it is properly balanced.
5. In case of emergency press two clips of the quick release (10b). The product together with the securing clip (10a) will be released automatically from the body because of the weight of the product (Fig. 3).

Flat vacuum tube

For the convenience of collecting garden leaves on the roadside or pavement, a flat vacuum tube (8) with guide rollers (8a) can be quickly assembled on the round nozzle (7d) of the lower tube (7) (Fig. 5).

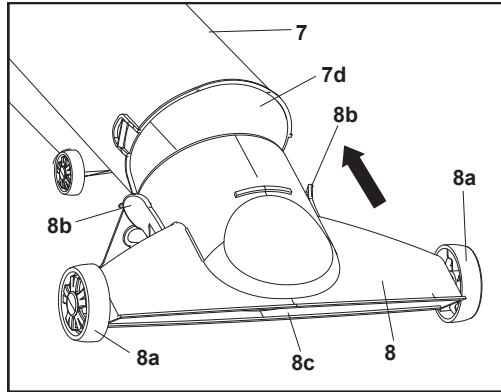


Fig. 5

1. Align the flat vacuum tube (8) to the round nozzle (7d) of the lower tube (7) and insert it all the way to the stop (Fig. 5). Ensure that the two clips (8b) lock in place.
2. The flat nozzle (8c) is ready for use.
3. To remove the flat vacuum tube (8), release the two clips (8b) from the lower tube and pull it away.



NOTE: The product is equipped with a power cord with the length of 10 m. If an additional extension cord is required for operation, observe the technical requirements for this product when purchasing an extension cord.

Always use a residual current supply (RCD) protected supply.

1. Double the power cord (12) back, about 60 cm from the power guard and lead the loop on the cord retainer (4). Pull it over the cord retainer (4) and gently tug on the power cord (12) to ensure that it is firmly secured (Fig. 6, steps 1, 2).

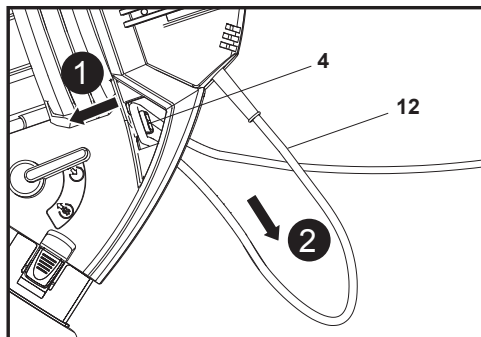


Fig. 6

2. Make sure the on/off switch (16) is in the "Off" position.
3. Connect the plug of power cord (12) with a suitable socket.



WARNING! Check the voltage! The voltage must comply with the information on the rating label!

If using an extension cord it must be suitable for outdoor use with sockets protected against water splashing.

Ensure the extension cord is of the proper size and type for your product:

- 1.5 mm² for up to 60 m in length
- 2.5 mm² for up to 100 m in length

4. Your product is now ready to be used.

EN Functions & Settings

Intended use

This electric blower vacuum MBV2800 / TTBV2800 is designated with a rated input of 2800 Watts.

The product is intended for:

- blowing dry leaf material to pile it up ready for collection or to blow similar material out of areas which are hard to reach.
- vacuuming dry leaves with the supplied round nozzle (7d) or flat nozzle (8c).

The product must not be used to create a dust hazard or as a wet blowing / suction device.

The product may only be used with the blowing / suction tube fully installed. Avoid wet materials such as leaves and dirt, twigs, branches, pine needles, grass, earth, sand, mulch, cuttings etc. Do not use on wet lawns, grassy areas or fields.

For safety reasons it is essential to read the entire instruction manual before first operation and to observe all the instructions therein.

This product is intended for private domestic use only, not for any commercial trade use. It must not be used for any purposes other than those described.

Auxiliary handle adjustment

Adjust the angle of the front handle (3) to fit the intended application.

1. Turn the locking knob (3a) anticlockwise to loosen the front handle (3), then move it forward or backward to adjust the angle (Fig. 7, steps 1, 2).

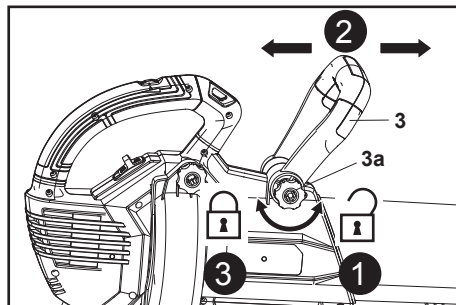


Fig. 7
21



- Turn the locking knob (3a) clockwise to tighten the front handle (3) (Fig. 7, step 3). Ensure the tooth system locks in place.

Mode selector



WARNING! Always switch off the product and let it come to a complete stop before changing the operating mode!

Select the operating mode by moving the mode selector (5) to the respective symbol (Fig. 8).

- Move the mode selector (5) to the position  to use the product as a blower.
- Move the mode selector (5) to the position  to use the product as a vacuum.
- Always ensure the mode selector (5) locks in position. Do not use the product with the mode selector (5) in an intermediate position. You can hear a click once the lever is positioned properly.

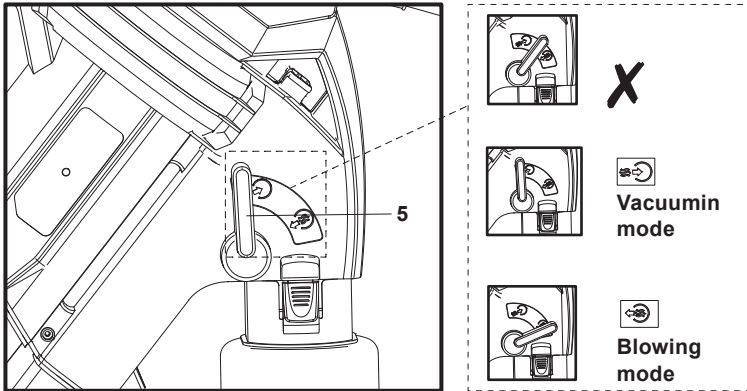


Fig. 8

Switching on/off

This product can only be operated in continuous mode.

- Slide the on/off switch (16) backward (from operator's perspective) to switch the product on (Fig. 9).
- Slide the on/off switch (16) forward (from operator's perspective) to switch the product off.

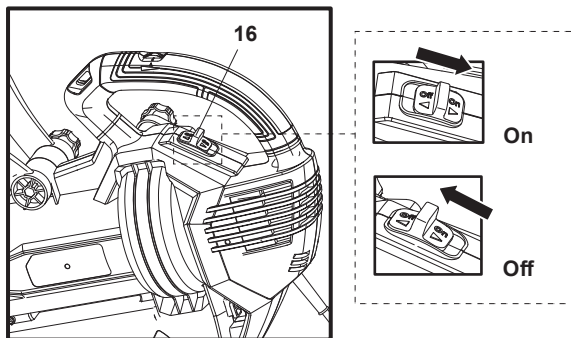


Fig. 9



WARNING! The motor / fan will continue to run for some time even after the motor has been switched off!

Wait until it comes to a complete stop before putting the product down!

Speed dial

Limit the maximum speed using the speed dial (2). The speed is continuously adjustable with the following levels:

1 ||| 2 ||| 3 ||| 4 ||| 5 ||| 6

1. Turn the speed dial (2) to a higher number to increase the maximum speed (Fig. 10).
2. Turn the speed dial (2) to a lower number to decrease the maximum speed.

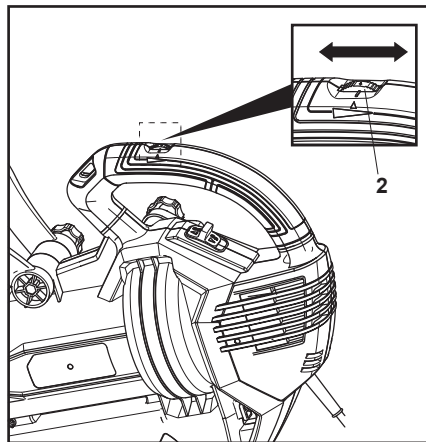


Fig. 10

EN Operation

General operation

1. Check the product, its power cord and plug as well as accessories for damage before each use. Do not use the product if it is damaged or shows wear. Take care of any problem you find or have the product checked by qualified specialist.
2. Double check that the accessories and attachments are properly fixed.
3. Always hold the product by its handle(s) (1/3). Keep the handle(s) dry and clean to ensure safe support.
4. Ensure that the air vents (15) are always unobstructed and clear. Clean them if necessary with a soft brush. Blocked air vents may lead to overheating and damage the product.
5. Switch the product off immediately if you are disturbed while working by other people entering the working area. Always let the product come to complete stop before putting it down.
6. Do not overwork yourself. Take regular breaks to ensure you can concentrate on the work and have full control over the product.
7. Before operation, loosen leaves that are stuck to the ground using a broom or rake.
8. Before switching the product on, check whether it has been assembled correctly and all the moving parts are running smoothly! Always test the correct function of the residual current device (RCD) before starting to operate your product.
9. While working, ensure that the product does not strike hard objects, as this can cause damage.

10. Do not blow any solid bodies such as stones, branches or pieces of branch, fir cones or similar.
11. We recommend slightly dampening surfaces in dusty conditions or using a mister attachment.

Operating hours

Only operate the product at reasonable hours - not early in the morning, late at night or on weekends / public holidays when people might be disturbed. Inform yourself about local restrictions.

Collection bag

1. Always operate the product with the collection bag (9) attached.
2. Inspect the collection bag each time before use. Do not use it if you detect any damage.
3. Empty frequently during use. Do not wait until the collection bag (9) is completely full. We recommend emptying it when it is half full.



NOTE: A full collection bag reduces the performance of this product.

4. Switch the product off and disconnect it from the power supply.
5. Open the collection bag by its zipper (9c) and empty the clippings onto a compost heap.
6. Close the zipper (9c) before continuing operation.

Blowing

1. Before blowing, loosen leaves that are stuck to the ground using a broom or rake.
2. Always hold the product by the main handle (1) and the front handle (3).
3. Attach the harness (10) to the hanging hole (1a) and hang it on the shoulder.
4. Hold the tube approximately 10 cm above the ground and walk slowly forward using a sweeping motion from side to side (Fig. 11).

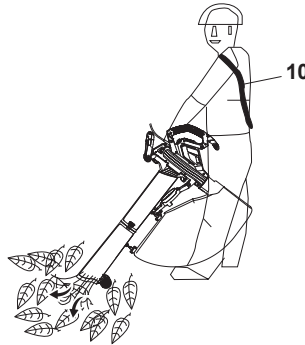


Fig. 11

5. Direct the air stream away from yourself.
6. Ensure that you do not stir up any heavy objects and hurt somebody or damage something.

Vacuuming

1. Always hold the product by the main handle (1) and the front handle (3).
2. Attach the harness (10) to the hanging hole (1a) and hang it on the shoulder.
3. Push the product in front of you. Use the guide rollers (7c) to guide the round nozzle (7d) along the ground more easily (Fig. 12).

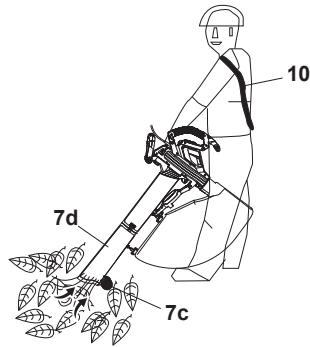


Fig. 12

4. For using the flat nozzle (8c): Attach the flat vacuum tube (8) as mentioned in the “Assembly-> Flat vacuum tube” section and use the guide rollers (8a) to guide the flat nozzle (8c) along the ground to collect leaves.
5. The leaves will be sucked up into the tube and deposited into the collection bag (9).
6. Make sure the volume of leaves sucked in at one time is not too large. This will avoid clogging the tube and blocking the impeller wheel.



WARNING! Switch the product off and disconnect it from the power supply if it stops suddenly during operation and does not produce any suction. Refer to the instructions below about removing blockages and the “Troubleshooting” section.

After use

1. Switch the product off, disconnect it from the power supply and let it cool down.
2. Check, clean and store the product as described below.

EN Care and maintenance

The golden rules for care



WARNING! Always switch the product off, disconnect the product from the power supply and let the product cool down before performing inspection, maintenance and cleaning work!

1. Keep the product clean. Remove debris from it after each use and before storage.
2. Regular and proper cleaning will help ensure safe use and prolong the life of the product.
3. Inspect the product before each use for worn and damaged parts. Do not operate it if you find broken and worn parts.



WARNING! Only perform repairs and maintenance work according to these instructions! All further works must be performed by a qualified specialist!

General cleaning

1. Clean the product with a damp cloth and pH-neutral soap. Use a brush for areas that are hard to reach.
2. In particular clean the air vents (15) after every use with a cloth and brush.
3. Remove stubborn dust with high pressure air (max. 3 bar).



NOTE: Do not use chemical, alkaline, abrasive or other aggressive detergents or disinfectants to clean this product as they might be harmful to its surfaces.

4. Check for any damage and wear. Repair damage in accordance with this instruction manual or take it to an authorised service centre before using the product again.

Maintenance

Before and after each use, check the product and accessories (or attachments) for wear and damage. If required, exchange them for new ones as described in this instruction manual. Observe the technical requirements.

Removing blockages



WARNING! Wear protective gloves when removing blockages! Use proper tools to remove debris, e. g. a wooden stick! Never use your bare hands!



WARNING! Ensure that the product is switched off and the power supply has been disconnected before removing blockages.

1. Place the product on an even surface and remove the collection bag (9) in reverse order of assembly.
2. Check the upper (6) and lower tube (7) for blockages. Carefully tap the tubes (6, 7) to loosen the blockage.
3. Open the impeller wheel housing (13) for removing heavy blockages.
 - Turn the locking knob (14) anticlockwise to loosen, then open the impeller wheel housing (13) (Fig. 13, steps 1, 2).
 - Secure the impeller wheel housing (13) by closing it and tightening the locking knob (14) clockwise (Fig. 13, step 3). Ensure the built-in switch clicks in place with an audible sound.

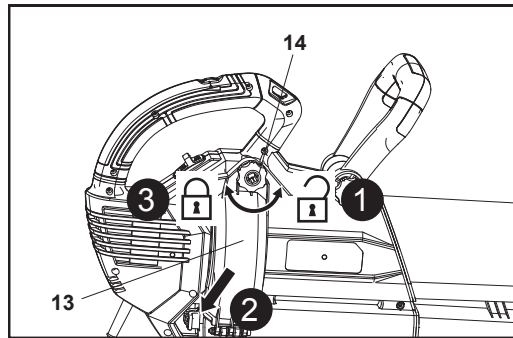


Fig. 13

Collection bag

1. Place the product on an even surface and remove the collection bag (9) in reverse order of assembly.
2. Clean the collection bag (8) after operation by turning it inside out and brushing it.
3. Replace the collection bag (8) with one of the same type if it is damaged.
4. Refit it as above described.

Power cord

If the power cord is damaged, it must be replaced by the manufacturer, its service agent or similarly qualified persons in order to avoid a safety hazard.

UK plug (for UK only)

If you need to replace the fitted plug, then follow the instructions below.

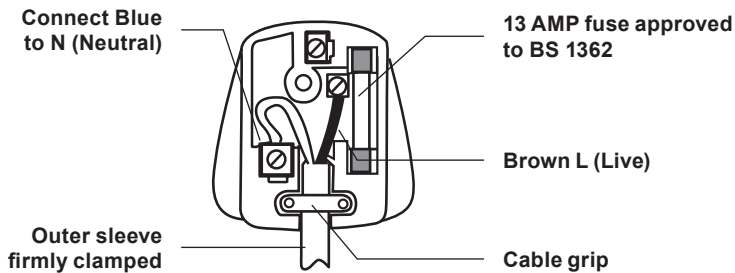


IMPORTANT: The wires in the mains lead are coloured in accordance with the following code:

Blue - Neutral

Brown - Live

As the colours of the wire in the mains lead of this product may not correspond with the coloured marking identifying the terminals in your plug, proceed as follows. The wire, which is coloured blue, must be connected to the terminal, which is marked with N or coloured black. The wire, which is coloured brown, must be connected to the terminal, which is marked L or coloured red.



WARNING! Never connect live or neutral wires to the earth terminal of the plug, which is marked with E.

Only fit an approved 13 Amp BS 1363 or BS 1363/A plug and correctly rated 13 Amp BS 1362 fuse. If in doubt, consult a qualified electrician.



NOTE: If a moulded plug is fitted and has to be removed take great care in disposing of the plug and severed cable, it must be destroyed to prevent engaging into a socket.

Spare parts/Replacement parts

The following parts of this product may be replaced by the consumer. Spare parts are available at an authorised dealer or through our customer service.

Description	Model or Specification Number
2800W Electric Garden Vac Dust Bag	N/A

Repair

This product does not contain any parts that can be repaired by the consumer. Contact an authorised service centre or a similarly qualified person to have it checked and repaired.

Storage

1. Switch the product off and disconnect it from the power supply.
2. Clean the product as described above.

3. Store the product and its accessories in a dark, dry, frost-free, well-ventilated place.
4. Always store the product in a place that is inaccessible to children. The ideal storage temperature is between 10 °C and 30 °C.
5. We recommend using the original package for storage or covering the product with a suitable cloth or enclosure to protect it against dust.

Transportation

1. Switch the product off and disconnect it from the power supply.
2. Attach transportation guards, if applicable.
3. Always carry the product by its handles (1, 13).
4. Protect the product from any heavy impact or strong vibrations which may occur during transportation in vehicles.
5. Secure the product to prevent it from slipping or falling over.

Troubleshooting

Suspected malfunctions are often due to causes that the users can fix themselves. Therefore check the product using this section. In most cases the problem can be solved quickly.



WARNING! Only perform the steps described within these instructions! All further inspection, maintenance and repair work must be performed by an authorised service centre or a similarly qualified specialist if you cannot solve the problem yourself!

Problem	Possible cause	Solution
1. Product does not start	1.1. Not connected to power supply	1.1. Connect to power supply
	1.2. Power cord or plug is defective	1.2. Check by a specialist electrician
	1.3. Locking knob with built-in switch is not secured	1.3. Refit and tighten the locking knob
	1.4. Other electrical defect to the product	1.4. Check by a specialist electrician
2. Product does not reach full power	2.1. Extension cord not suitable for operation with this product	2.1. Use a proper extension cord
	2.2. Power source (e. g. generator) has too low voltage	2.2. Connect to another power source
	2.3. Air vents are blocked	2.3. Clean the air vents
	2.4. Collection bag is full	2.4. Empty collection bag
	2.5. Mode selector in incorrect position	2.5. Move to the correct position
3. Unsatisfactory result	3.1. Incorrect nozzle assembled	3.1. Assemble a suitable nozzle
4. Excessive vibration or noise	4.1. Screws are loose	4.1. Tighten screws

Recycling and disposal



Waste electrical products should not be disposed of with household waste. Please recycle where facilities exist. Check with your Local Authority or local store for recycling advice.

■ **For further information visit www.recycle-more.co.uk.**

The product comes in a package that protects it against damage during shipping. Keep the package until you are sure that all parts have been delivered and the product is working properly. Recycle the package afterwards.

EN Guarantee

We take special care to select high quality materials and use manufacturing techniques that allow us to create products incorporating design and durability. This product has a manufacturer's guarantee of 2 years against manufacturing defects, from the date of purchase (if bought in store) or date of delivery (if bought online), at no additional cost for normal (non-professional or commercial) household use.

To make a claim under this guarantee, you must present your proof of purchase (such as a sales receipt, purchase invoice or other evidence admissible under applicable law), please keep your proof of purchase in a safe place. For this guarantee to apply, the product you purchased must be new, it will not apply to second hand or display products. Unless stated otherwise by applicable law, any replacement product issued under this guarantee will only be guaranteed until expiry of the original period guarantee period.

This guarantee covers product failures and malfunctions provided the product was used for the purpose for which it is intended and subject to installation, cleaning, care and maintenance in accordance with the information contained in these terms and conditions, in the user manual and standard practice, provided that standard practice does not conflict with the user manual.

This guarantee does not cover defects and damage caused by normal wear and tear or damage that could be the result of improper use, faulty installation or assembly, neglect, accident, misuse, or modification of the product. Unless stated otherwise by applicable law, this guarantee will not cover, in any case, ancillary costs (shipping, movement, costs of uninstalling and reinstalling, labour etc), or direct and indirect damage.

This guarantee does not cover defects and damage caused by or resulting from:

- Normal wear and tear
- Overload, misuse or neglect
- Repairs attempted by anyone other than an authorised agent
- Cosmetic damage
- Damage caused by foreign objects, substances or accidents
- Accidental damage or modification
- Failure to follow manufacturer's guidelines
- Loss of use of the goods

If the product is defective, we will, within a reasonable time, repair, replace or provide spare parts.

Rights under this guarantee are enforceable in the country in which you purchased this product. Guarantee related queries should be addressed to the store you purchased this product from.

The guarantee is in addition to and does not affect your statutory rights.





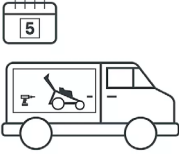
**IMPORTANT - RETAIN THIS INFORMATION
FOR FUTURE REFERENCE:
READ CAREFULLY**

Customer care and technical helpline

A better way to repair your tools

Kingfisher takes special care in creating high-quality garden power tools that are designed to last. But if a fault develops with your garden power tool and you need to claim under the guarantee, the Customer Care and Technical Helpline can support with technical assistance or if required, arrange a free courier collection from your home, assess your garden power tool for fault, repair it, and return it.

Deciding to repair your product rather than buying a replacement and adding to the mountain of waste is a more sustainable choice and you will be doing your bit for the environment.

How does it work?				
				
Step 1	Step 2	Step 3	Step 4	Step 5
Find your proof of purchase and get in touch with the Customer Care and Technical Helpline.	Chat to them about the problem with your tool.	They will provide technical and user advice or alternatively arrange a courier collection from your home.*	The team will assess and test and if necessary, repair your product back to full working order.	Your repaired tool will be returned to you via courier within 5 working days*.

Get in touch

If you need help or more information, please contact the Customer Care and Technical Helpline:

UK: 0800 0789647

Eire: 1800 932226

Opening hours are Monday – Friday, 8am-5pm

Availability of spare parts

Contact the customer service helpline for assistance or visit www.kingfisherspares.com

For assistance contact the customer services helpline:

UK 0800 0789647 uk@Kingfisherservice.com

EIRE 1800 932226 eire@kingfisherservice.com

Further information about this product can also be found at:

www.kingfisher.com/products

Manufacturer:

UK Manufacturer:

Kingfisher International Products Limited,
1 Paddington Square, London, W2 1GG,
United Kingdom

EU Manufacturer:

Kingfisher International Products B.V.
Rapenburgerstraat 175E
1011 VM Amsterdam
The Netherlands

EN www.diy.com
www.screwfix.com
www.screwfix.ie

**To view instruction manuals online,
visit www.kingfisher.com/products**